

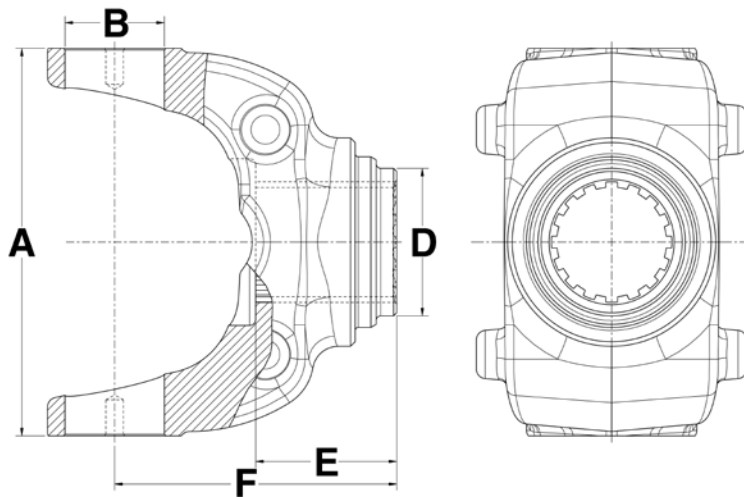


# New Part Announcement

## *New 1710 Series End Yoke*

Splined End Yoke

BEARING PLATE CONSTRUCTION



Spline / No. Teeth	D Hub Dia.	Sleeve Dia.	E Length Thru Bore	F Centerline To End Of Hub	Joint Angle	Part No.
<b>1710 Series</b>	<b>use Kit No. 5-0280</b>		<b>A-6.094</b>	<b>B-1.938</b>	<b>(Replaces Spicer® 5-280X)</b>	
1.79-34	2.62	—	2.44	6.31	45.0	<b>N6-4-8521X</b>

NEAPCO Components, LLC 740 Queen St. Pottstown, PA 19464

Phone: 800-821-2374

E-mail: [hd@neapco.com](mailto:hd@neapco.com)

**Innovative Drivetrain Solutions™**

Fax: 610-326-3857

Web site: [www.neapco.com](http://www.neapco.com)

©2010 NEAPCO Components, LLC

9901226

03/2010

1